



Perma Tech, Inc.
"For All Your Loading Dock Needs"

PERMA RIGID DOCK SHELTER

INSTALLATION INSTRUCTIONS

NOTE:

**CHECK SHIPPING CONTAINERS BEFORE RELEASING CARRIER.
NOTIFY CARRIER IMMEDIATELY UPON DISCOVERING ANY CONCEALED DAMAGE.**

WARNING : Do not install this product unless you have read and understand the warnings and installation instructions contained in the manual.
Failure to do so could result in serious injury or death.



Perma Tech Inc.
363 Hamburg Street
Buffalo, NY 14204
www.PermaTechInc.com

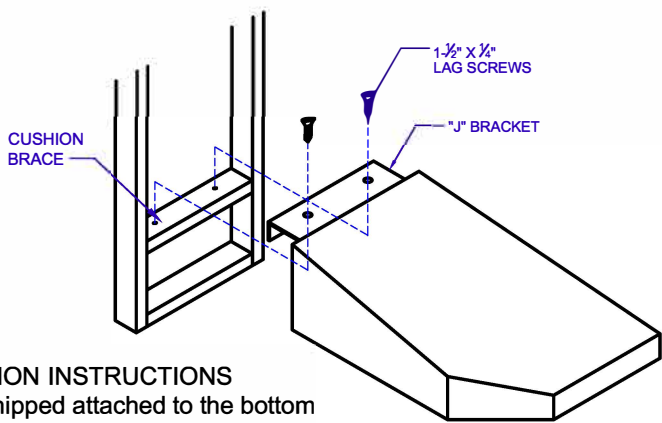
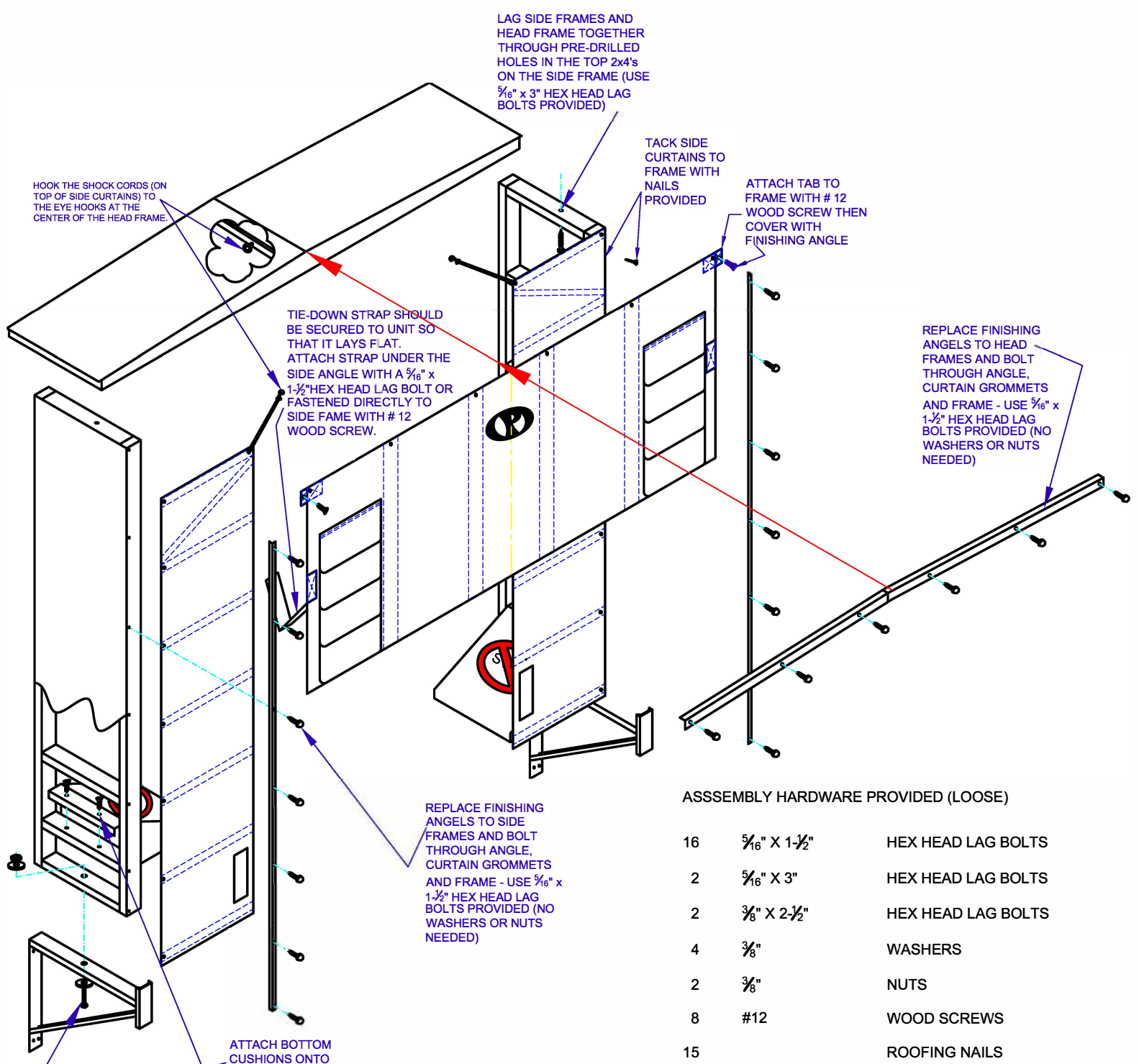
Toll Free: 800-362-7325
Local: 716-854-0707
Fax: 716-854-0774
Sales@permatechinc.com

INSTALLATION INSTRUCTIONS

PERMA RIGID SHELTER

NOTE: CHECK SHIPPING CONTAINERS BEFORE RELEASING CARRIER. NOTIFY CARRIER IMMEDIATELY UPON DISCOVERING ANY CONCEALED DAMAGE.

1. Find the centerline of the door opening and mark the door opening top and bottom. Use the head frame to find the unit width and mark the wall, right and left, for the correct positions of the side frames.
2. The steel bumpers are mounted with the top edge level with the dock floor. The outside edge of the bumper should be 1" outside the wall marking for the unit width, right and left.
3. Remove the aluminum angles from the side frames.
4. Attach the side frames to the wall with the outside edge of the wall marks. If side frames are made in two or more sections, attach wall section first. Attach remaining sections together with 4" bolts provided. Plumb frames and shim if necessary. Fasten frame to the wall in at least three places. Drill up through the hole in the bumper and through the bottom of the side frame and bolt with the provided 3/8" x 2-1/2" hex head bolt. (Washer and nut on the inside of frame)
5. Align side curtain with the side frame. Tack curtain onto frame in 3 to 4 spots to hold it in place, using the nails provided.
6. Bottom cushions (*no-step cushions*) are ready to be hooked onto the second lowest rung of the side frames using the attached "L" or "J" brackets. Secure the pads onto the frame using two - # 12 wood screws per cushion. Be sure that the "NO-STEP" label is facing up and readable to those standing inside the dock.
7. Set the head frame on top of the side frames and bolt the head frame to the wall. (If fiberglass top begins to buckle, shim between frame and wall.) Lag side frames and head frame together through pre-drilled holes in the top 2x4's on the side frames. If head frames are made in two or more sections, attach wall section first. Attach remaining sections together with 4" bolts provided.
8. Attach the head curtain to the head frame using the same procedure as used for side curtains.
9. Replace angles to side frames and bolt through angle, curtain grommets and frame. Use 5/16" x 1-1/2" Lag bolts (no washer and nut needed).
10. Head curtain tie-down strap should be secure to unit so that it lays flat. Attach strap under the side angle with a 5/16" X 1-1/2" Hex Head Lag bolt or directly to side frame with #12 wood screws.
11. Hook the shock cords on the top of the side curtains to the eye hooks at the center of the head frame.
12. Caulk around the outside of entire unit.



BOTTOM CUSHION INSTALLATION INSTRUCTIONS

1. The "J" mounting bracket is shipped attached to the bottom cushions.
2. From the inside of the unit hook the "J" bracket over the cushion brace.
3. Attach the bracket using the lag screws provided.

LIMITED PRODUCT WARRANTY

Perma Tech, Inc. warrants the material and workmanship in any product manufactured by Perma Tech, Inc. for a period of one year from the date of shipment to customer if properly installed, maintained and used. This limited warranty shall not apply in the event of misuse or modification by customer or to materials not manufactured and installed by Perma Tech, Inc.

In the event of any defects covered by this warranty, Perma Tech, Inc. will remedy such defects by repairing or replacing at its expense any defective products or, at its option, refunding the original purchase price excluding installation, freight and tax. This shall be customer's exclusive remedy for all claims whether based on warranty, contract, negligence, strict liability or other legal theory.

Written notice of any claim must be made within the warranty period by first class mail or personal delivery to a suitable person at Perma Tech's office at 363 Hamburg Street, Buffalo, New York 14204. Notice of delivery by e-mail or fax is not acceptable.

PERMA TECH, INC. EXPRESSLY DISCLAIMS AND CUSTOMER WAIVES ALL IMPLIED WARRANTIES INCLUDING WITHOUT LIMITATION, ANY IMPLIED WARRANTIES OF MERCHANTABILITY OR FITNESS FOR A PARTICULAR PURPOSE. PERMA TECH, INC. SHALL NOT IN ANY EVENT BE LIABLE FOR AND CUSTOMER WAIVES ANY INCIDENTAL, CONSEQUENTIAL OR PUNITIVE DAMAGES OF ANY KIND TO CUSTOMER OR ANY THIRD PARTY, INCLUDING WITHOUT LIMITATION DAMAGES FOR LOST PROFITS, EVEN IF ADVISED OF SAME.